

RXi – Web Panel

The Definitive Industrial Display Experience

To succeed in an outcome-driven world, businesses must operate faster and leaner, while being increasingly connected with both local and global data. At Emerson, we've reimagined automation architecture to help you thrive in today's demanding business environment. This architecture ensures that relevant information is readily available to operators, so they can make the best decisions in real time. Highlighting this reimagined architecture, Emerson has gone back to the drawing board to create the "Definitive Industrial Display Experience". The result is the RXi-Web Panel modular display portfolio designed with web hosted HMI applications in mind to maximize flexibility, performance, and durability.

Modularity and Flexibility

The RXi – Web Panel portfolio ranges from 7" to 24" screens in a widescreen format with 7" to 15" available with both indoor and outdoor sunlight readable screens. The modular nature of the unit offers a substantial amount of flexibility in configuring your RXi – Web Panel. For instance, you can easily swap an indoor screen for an outdoor screen, change screen sizes, or simply replace a damaged screen, while utilizing the same computing unit.

Enhanced Connectivity

The RXi – Web Panel was developed to provide users with cost effective easy access to web hosted HMI applications while maintaining the capabilities that come with an industrialized panel. Since the majority of the computing occurs on the server side, the RXi – Web Panel comes with a minimalist computing module housing a Dual Core 1.0 GHz iMX6 Freescale processor, 2GB of DDR3 RAM and 4GB of Flash memory. The standard Linux Yocto OS, QT Webkit, and Chromium and Firefox Web browsers enable the RXi – Web Panel to connect you to your web hosted HMI of choice. The RXi – Web Panel provides vivid graphical capabilities and quick response times to provide access to relevant information, enable smarter decision, and lower total cost of ownership.



Display Technology: Designed to Maximize UX

The RXi – Web Panel takes industrial displays into today's connected world, by combining design, durability, and power in an ultra-slim package perfect for the factory floor. A sleek and powerful user experience connects people and machines with the latest in touchscreen technology and widescreen displays. The projected capacitive, high resolution, multitouch screens can be used while wearing personal protective equipment and are as sensitive as the latest smartphone. The outdoor rated Sunlight Readable screens provide brightness ratings nearly double that of the brightest smart devices. The optically bonded screens feature UV protection which vastly reduces reflections and glare, providing operators with vivid, clear images for a more complete and enhanced process visualization.

Anytime, Anywhere: A Range of Applications

With the highest of environmental ratings, the RXi – Web Panel operates effectively in temperatures as high as 65°C and as low as -20°C. Indoors or outdoors, the RXi – Web Panel portfolio meets rigorous certifications with IP66 rated screens that protect against dust, moisture, and direct water jets. The RXi – Web Panel provides you with a solution that is designed to go where you need it to.

Specifications

| | Size (inch) | 7" | 10" | 12" | 15" | 19" | 24" |
|-----------------------------|---------------------------|---|-------------------|---------------------------------------|---------------------------------------|-------------------|--------|
| Display | Resolution | 1024 x 600 WSVGA | 1280 x 800 WXGA | | 1920 x 1080 Full HD | | |
| | Format† | Widescreen (16:10) | | | Widescreen (16:9) | | |
| | Orientation | Landscape | | | | | |
| | Reading Angle (°) | 150 (H) / 145 (V) | 170 (H) / 170 (V) | 176 (H) / 176 (V) | 170 (H) / 170 (V) | 178 (H) / 178 (V) | |
| | Display Off-Color | Black | | | | | |
| | Contrast | 800:1 | | 1000:1 | 800:1 | 1000:1 | 5000:1 |
| | Brightness (cd/m2) | 500 (1000 with Outdoor SLR Screen) | | 400 (1000 with Outdoor SLR Screen) | 450 (1000 with Outdoor SLR Screen) | 350 | 300 |
| | MTBF Backlighting | 50 000 h (at 25°C) | | | | | |
| | Backlight | LED, Dimmable via Software | | | | | |
| Processor i.MX 6DualLite | Processor | Freescale i.MX 6DualLite | | | | | |
| | # of cores/TDP | 2 core/2.5W | | | | | |
| | CPU frequency | 1.0Ghz | | | | | |
| Memory | Capacity | 2GB DDR3L | | | | | |
| Storage | Internal | 4GB eMMC NAND Flash Memory | | | | | |
| Watchdog Timer | Setup | Setup by software | | | | | |
| Operating Control | Method | Touch | | | | | |
| Touchscreen | Technology | Projected Capacitive Touch (PCT/PCAP) | | | | | |
| | Touch Sensor | Multi-touch (Ten-Point) | | | | | |
| Interfaces | Port 1 | 1 x 10/100/1000 Base T Ethernet RJ45 | | | | | |
| | Port 2 | 1 x RS-232/422/485 COM Port (DB-9 connector) | | | | | |
| | Port 3 | 1 x USB 2.0 (Type-A) 1 x USB OTG (micro USB) | | | | | |
| Status Indicators | Front Bezel Tri-color LED | Amber/Green/Red | | | | | |
| | On-board Buzzer | Yes (85dB sound level with 80mA mean current) | | | | | |
| Power-Supply | Voltage [V] | +24VDC ±20% (19.2 V to 28.8 V, 3-Pin Connector) | | | | | |
| Power Consumption | Maximum Wattage [W] | 5 W | 11 W | 17 W | 15 W | 19 W | 35 W |
| Protection-Class | Front-Side | IP66 (When Installed to a Wall/Panel) | | | | | |
| | Back-Side | IP20 | | | | | |
| Operating System | OS | Linux kernel 4.1.15:Yocto | | | | | |
| | Framework | Qt 5.6.2 | | | | | |
| Software Tools | Tool 1 | Qt WebKit / Web Browser | | | | | |
| | Tool 2 | HTML5 Capability | | | | | |
| Secure & Trusted Boot | Item 1 | CAAM | | | | | |
| Design | Housing | Aluminum Die Casting (Front) | | | | | |
| | Construction Type | Modular (Detachable Modules; Computer, Monitor, Touch Display, DIO) | | | | | |
| | Cooling | Natural Convection (Fanless Passive Cooling) | | | | | |

† For opportunities regarding traditional 4:3 aspect ratio screens, please contact your local Emerson representative.

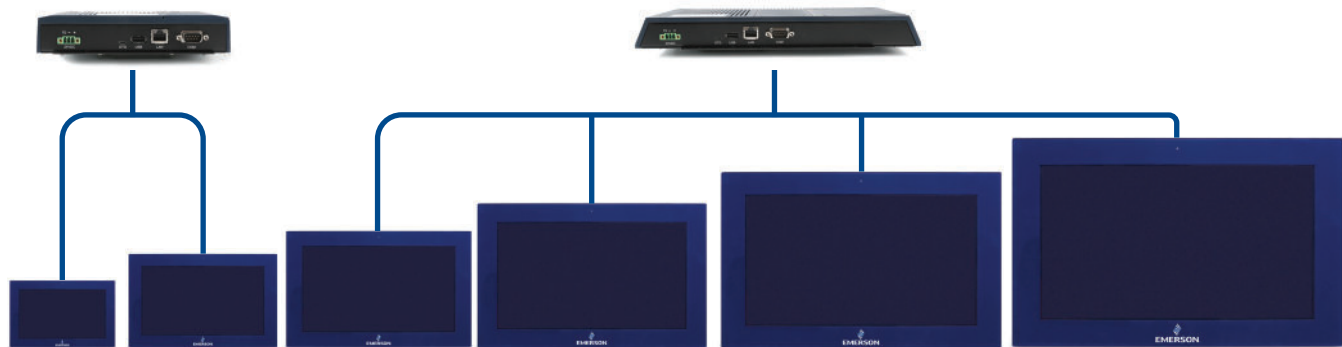
Specifications (continued)

| Size (inch) | | 7" | 10" | 12" | 15" | 19" | 24" |
|-------------------------------|--|---|------------------|--------------------|--------------------|----------------|----------------|
| Environment | Operating Temperature | -20°C to +65°C | | | | | |
| | Storage Temperature | -30°C to +70°C | | | | | |
| | Operating Humidity | 85% RH (non-condensing) @ 30°C | | | | | |
| | Operating Altitude | 10000 ft. (3.000 m) | | | | | |
| | Vibration | 1Grms / 5 ~ 500Hz (Random) / Operation IEC 60068-2-64 10G peak acceleration (11 msec. duration)/operation IEC 60068-2-27 | | | | | |
| Compliance | Certifications | UL and cUL 62368, UL and cUL 61010, IECCE CB Scheme | | | | | |
| | | UL TYPE 4 & 4X, IP66 (ANSI/IEC 60529) | | | | | |
| | | CE (EN 62368, EN 61000-6-4, 61000-6-2) | | | | | |
| | | FCC Part15 Class A | | | | | |
| | | RoHS | | | | | |
| | | UL Listed US/CAN Hazardous Locations: Class 1 Division 2, Class 2 Division 2, Class 3 Division 1 | | | | | |
| | | ATEX Zone 2/22 & IECEx | | | | | |
| | | Marine: ABS, BV, LR, DNV GL | | | | | |
| Mounting | Panel Cutout Dimensions (W x H, mm) | 183.5 x 128.5 | 255.5 x 174 | 317 x 214.5 | 398 x 245.5 | 482 x 297 | 581 x 360 |
| | VESA Mounting | 75 x 75 | | 100 x 100 | | | |
| | Hardware Included | Mounting Clamps and Allen Screws | | | | | |
| Physical Specification | Net Weight (kg) | 2.0 | 2.6 | 3.8 | 5.1 | 6.9 | 9.0 |
| | Dimensions (W x H x D, mm) | 192 x 137 x 65 | 267 x 186.2 x 65 | 329.1 x 226.8 x 66 | 410.2 x 257.6 x 65 | 500 x 315 x 70 | 600 x 382 x 71 |

Display Architecture Options

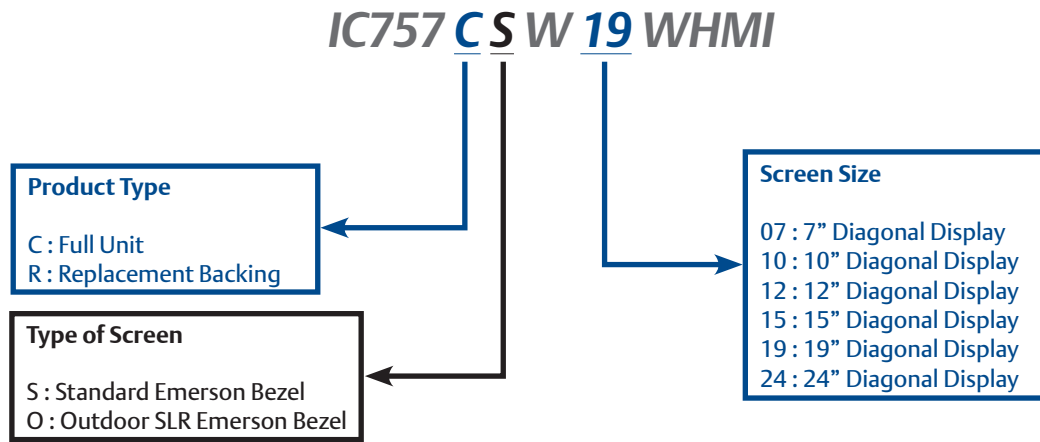
RXi – Web Panel small backing module and compatible screens

RXi – Web Panel large backing module and compatible screens



| 7" | 10" | 12" | 15" | 19" | 24" |
|------------------------------|------------------------------|------------------------------|------------------------------|------------------------------|------------------------------|
| 16:10 Widescreen 1024x600 | 16:10 Widescreen 1280x800 | 16:10 Widescreen 1280x800 | 16:9 Widescreen 1920x1080 | 16:9 Widescreen 1920x1080 | 16:9 Widescreen 1920x1080 |

Understanding the Part Numbers



Example: IC757C S W19 WHMI
19" RXi – Web Panel, Standard Bezel

Ordering Information

Complete Units

| Part Number | Description |
|----------------|---|
| IC757COW07WHMI | 7" RXi - Web Panel - Emerson Bezel, Outdoor SLR Widescreen |
| IC757COW10WHMI | 10" RXi - Web Panel - Emerson Bezel, Outdoor SLR Widescreen |
| IC757COW12WHMI | 12" RXi - Web Panel - Emerson Bezel, Outdoor SLR Widescreen |
| IC757COW15WHMI | 15" RXi - Web Panel - Emerson Bezel, Outdoor SLR Widescreen |
| IC757CSW07WHMI | 7" RXi - Web Panel - Emerson Bezel, Widescreen |
| IC757CSW10WHMI | 10" RXi - Web Panel - Emerson Bezel, Widescreen |
| IC757CSW12WHMI | 12" RXi - Web Panel - Emerson Bezel, Widescreen |
| IC757CSW15WHMI | 15" RXi - Web Panel - Emerson Bezel, Widescreen |
| IC757CSW19WHMI | 19" RXi - Web Panel - Emerson Bezel, Widescreen |
| IC757CSW24WHMI | 24" RXi - Web Panel - Emerson Bezel, Widescreen |

Replacement Backing

| Part Number | Description |
|----------------|--|
| IC757ROW07WHMI | Replacement Back for 7" RXi - Web Panel - Emerson Bezel, Outdoor SLR Widescreen |
| IC757ROW10WHMI | Replacement Back for 10" RXi - Web Panel - Emerson Bezel, Outdoor SLR Widescreen |
| IC757ROW12WHMI | Replacement Back for 12" RXi - Web Panel - Emerson Bezel, Outdoor SLR Widescreen |
| IC757ROW15WHMI | Replacement Back for 15" RXi - Web Panel - Emerson Bezel, Outdoor SLR Widescreen |
| IC757RSW07WHMI | Replacement Back for 7" RXi - Web Panel - Emerson Bezel, Widescreen |
| IC757RSW10WHMI | Replacement Back for 10" RXi - Web Panel - Emerson Bezel, Widescreen |
| IC757RSW12WHMI | Replacement Back for 12" RXi - Web Panel - Emerson Bezel, Widescreen |
| IC757RSW15WHMI | Replacement Back for 15" RXi - Web Panel - Emerson Bezel, Widescreen |
| IC757RSW19WHMI | Replacement Back for 19" RXi - Web Panel - Emerson Bezel, Widescreen |
| IC757RSW24WHMI | Replacement Back for 24" RXi - Web Panel - Emerson Bezel, Widescreen |

United State Office

Emerson Automation Solutions
Intelligent Platforms, LLC
2500 Austin Dr
Charlottesville, VA

Singapore Office

Emerson Automation Solutions Intelligent
Platforms Asia Pacific Pte. Ltd.
1 Pandan Cres,
Singapore, 128461

Brazil Office

Emerson Automation Solutions
Av. Hollingsworth, 325 – Iporanga
Sorocaba – SP, 18087-105

China Office

Emerson Automation Solutions Intelligent
Platforms (Shanghai) Co., Ltd
No.1277, Xin Jin Qiao Rd, Pudong,
Shanghai, China, 201206

Germany Office

Emerson Automation Solutions
ICC Intelligent Platforms GmbH
Memminger Straße 14
Augsburg, Germany 86159

India Offices

Emerson Automation Solutions
Intelligent Platforms Pvt. Ltd.,
Building No.8, Ground Floor
Velankani Tech Park, No.43
Electronics City Phase I, Hosur Rd
Bangalore-560100

Americas Support – Technical and Commercial

Phone: 1-888-565-4155 or 1-434-214-8532 (if toll free 800 option is unavailable)

Email for Technical Support: support.mas@emerson.com

Email for Commercial Support: customercare.mas@emerson.com

Primary language of support: English

Europe, Middle East, & Africa Support – Technical and Commercial

Phone: +800-4-444-8001

or +420-225-379-328 (if toll free 800 option is unavailable or dialing from a mobile telephone)

Email for Technical Support: support.mas.emea@emerson.com

Email for Commercial Support: customercare.emea.mas@emerson.com

Primary languages of support: English, German, Italian, Spanish

Asia Support – Technical and Commercial

Phone: +86-400-842-8599 for Greater China

+65-6955-9413 (All Other Countries)

Email for Technical Support: support.mas.apac@emerson.com

Email for Commercial Support Asia: customercare.cn.mas@emerson.com

Primary languages of support: Chinese, English

Support Website: www.emerson.com/iac-support

Home Website: www.Emerson.com/industrial-automation-controls

©2021 Emerson. All rights reserved.

The Emerson logo is a trademark and service mark of Emerson Electric Co. All other marks are property of their respective owners. The contents of this publication are presented for information purposes only, and while effort has been made to ensure their accuracy, they are not to be construed as warranties or guarantees, express or implied, regarding the products or services describe herein or their use or applicability. All sales are governed by our terms and conditions, which are available on request. We reserve the right to modify or improve the designs or specifications of our products an any time without notice.

